

Revolutionary Shaft Sealing System

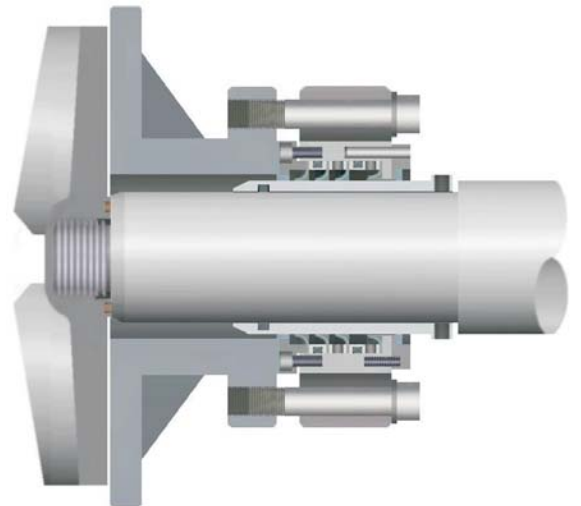


MODEL SDEO

Stationary
Deployable
Element
Outside the Box

- **Completely static design, no rotating parts.**
- **Quick and easy to install cartridge configuration.**
- **Stored sealing elements are deployed only when needed.**
- **Sealing elements can be deployed without stopping equipment.**
- **Designed for pumps and mixers with little or no seal chamber.**
- **Variety of materials and design configurations to suit various applications.**
- **Can be operated with or without flush as required by the service.**
- **Inherent predictability allows for better maintenance planning.**
- **Requires less power than alternative shaft sealing arrangements.**
- **Easily and economically repaired on your bench with standard tools.**
- **Simple design results in low initial and long term cost.**

Our **SLICK**'seal model SDEO is furnished in a familiar outside cartridge design for use with centrifugal pumps, positive displacement pumps and mixers where there is no room in the seal chamber or there is no seal chamber at all. As with our other SDE seals, the unit is furnished with some elements already deployed onto the rotating sleeve. Behind the deployed elements is one or several elements stored on a thin retaining sleeve, awaiting deployment only when required. Everything in this seal is stationary except the sleeve!



Once the deployed elements are unable to contain the fluid satisfactorily, the retaining sleeve is indexed to deploy a new, fresh and unused element to restore the fluid seal. The stored elements are easily deployed onto the rotating sleeve by simply moving the retaining sleeve flange away from the gland. Once all the elements have been deployed and servicing is required, the **SLICK**'seal cartridge can be removed and economically refurbished with simple tools on your bench!

